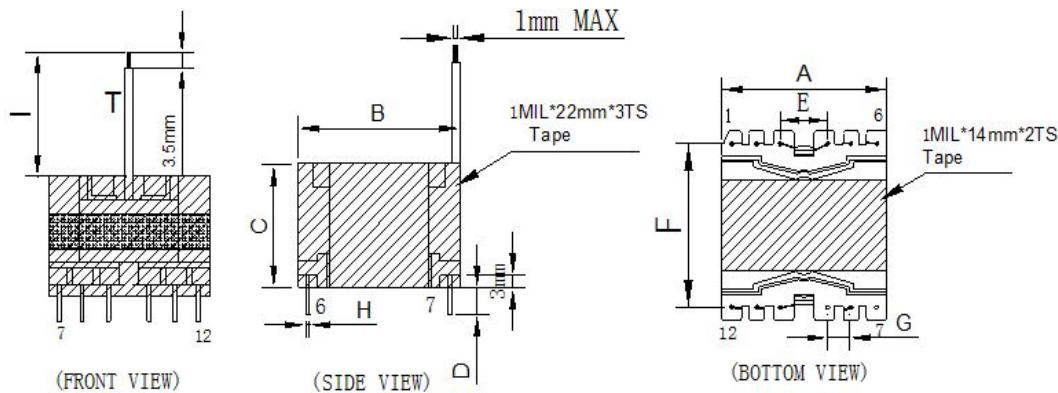


CUSTOMER TERMINAL	ROHS	Lead(Pb)-free
	YES	YES

1. Mechanical Dimensions

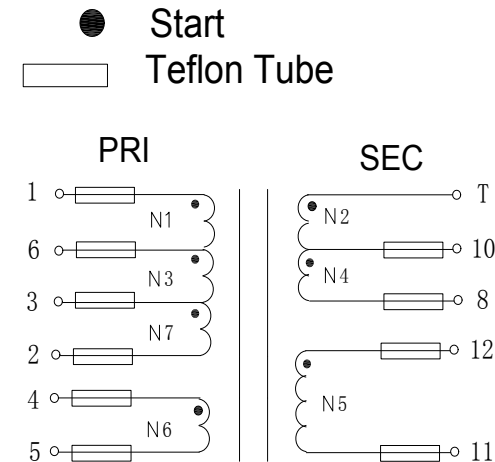


A	34.0	MAX
B	35.0	MAX
C	23.5	MAX
D	3.5	±0.5
E	7.4	±0.2
F	30.0	±0.3
G	5.0	±0.2
H	0.75	±0.1
I	40.0	±1.0

3. Material List

Core:FW44 PQ3220
 Bobbin:FWB3201-1(6+6PIN)
 Wire: TIW LITZ
 Copper foil:0.025t*8.0mm
 Operating Temperature: -30 to115 °C

2. Schematic Diagram



4. Electrical Specification

Inductance : $L(1-2):1.6mH \pm 5\%$ 30KHZ , 1.0V
 Leakage Inductance : $8\mu H$ MAX 30KHZ , 1.0V
 DCR : $(1-2)=0.63\Omega$ MAX $(8-T)=0.433\Omega$ MAX
 Hi-Pot:P-S: AC 60Hz 4000V 2mA 3S
 COIL-CORE: AC 60Hz 500V 1mA 3S

REV.	DATE	 Convention Placement	DRW.	Drawing Title:	Part No:		
0	00/00		CHK.			TRANSFORMER	FWPTPQ3220V162J-1
			APP.			Customer P/N	Specification Sheet 1of 1
ROHS		www.ferriwo.com					